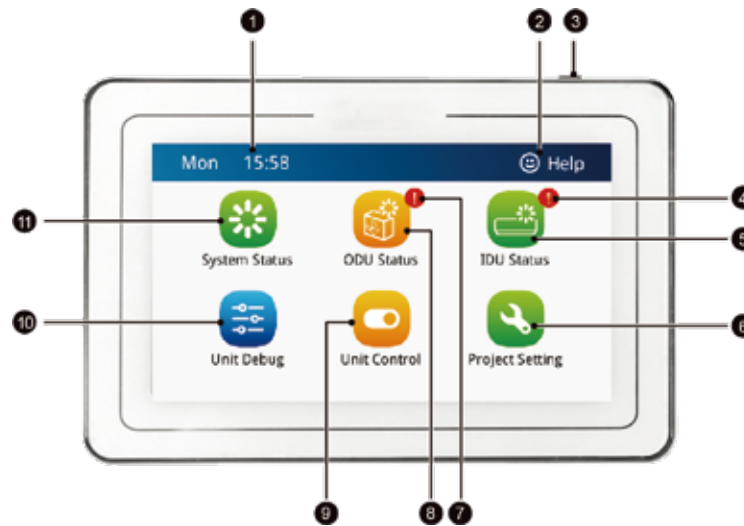


## Portable Commissioning Tool CE41-24/F(C)

CE41-24/F(C) is applicable to multi VRF units, connectable with IDU network or ODU network. For the indoor unit, one end of 4-core long connection wire is connected with COM interface of this product; the other end is connected with IDU CN11 interface (CAN-DEBUG). For the outdoor unit, one end of 4-core long connection wire is connected with COM interface of this product; the other end is connected with CN2 interface of ODU mainboard.

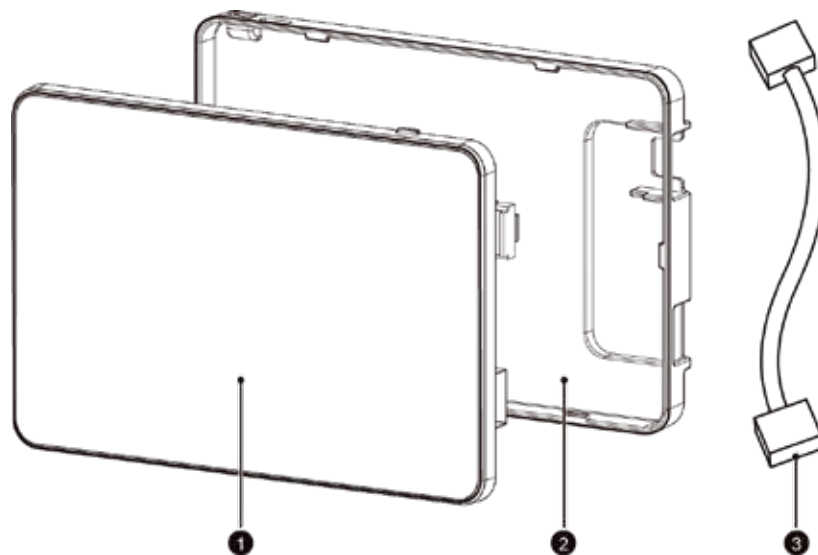
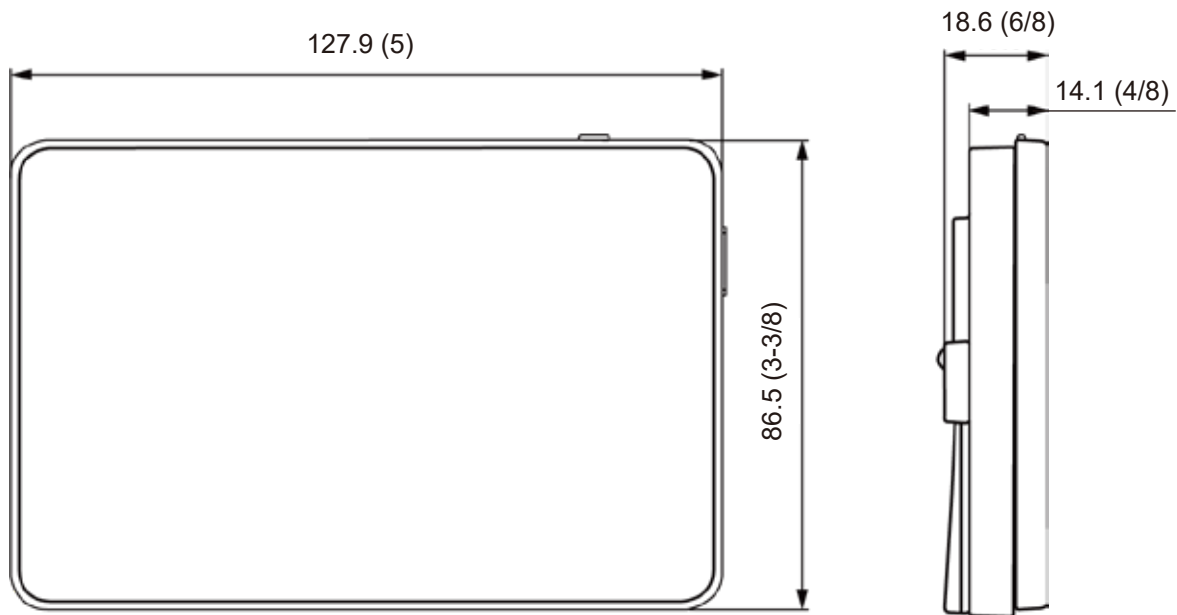


No.	Name	Instructions
1	System time	When the controller is connected with communication network, current day, hour, minute, a.m./p.m.(12-hour clock) will be display;
2	Entrance of help	Press this button to enter help page and view help information;
3	Touch button	<ul style="list-style-type: none"> <li>• Press Touch Button once to turn on/off the screen of this product;</li> <li>• Press and hold Touch Button for 5sec to reset the touch screen;</li> </ul>
4	IDU error reminder	When this icon appears, it indicates the indoor unit has error currently;
5	IDU status	Entrance of viewing IDU status parameters;
6	Engineering setting	Entrance of engineering setting options;
7	ODU error indication	When this icon appears, it indicates ODU module has error currently;
8	ODU status	Entrance of viewing ODU status parameters;
9	Unit control	Entrance of unit control operation;
10	Unit debugging	Entrance of unit debugging operation;
11	System status	Entrance of viewing system status parameters.

Job Name:		Date:	
System Reference No.:			
Engineer Signature:			

## Outline and Physical Dimensions of CE41-24/F(C).

Unit: mm(inch)



Parts of Controller

No.	①	②	③
Name	Touch screen of controller	Rear cover of controller	Long connection wire
Quantity	1	1	1