

Wired Controller XK55

This wired remote controller is optional for VRF indoor units (duct, cassette, wall mounted, floor ceiling, air handler, console). XK55 wired controller with color screen and 7-day programmable function. Max. quantity of connectable indoor unit is 16.

Model: XK55

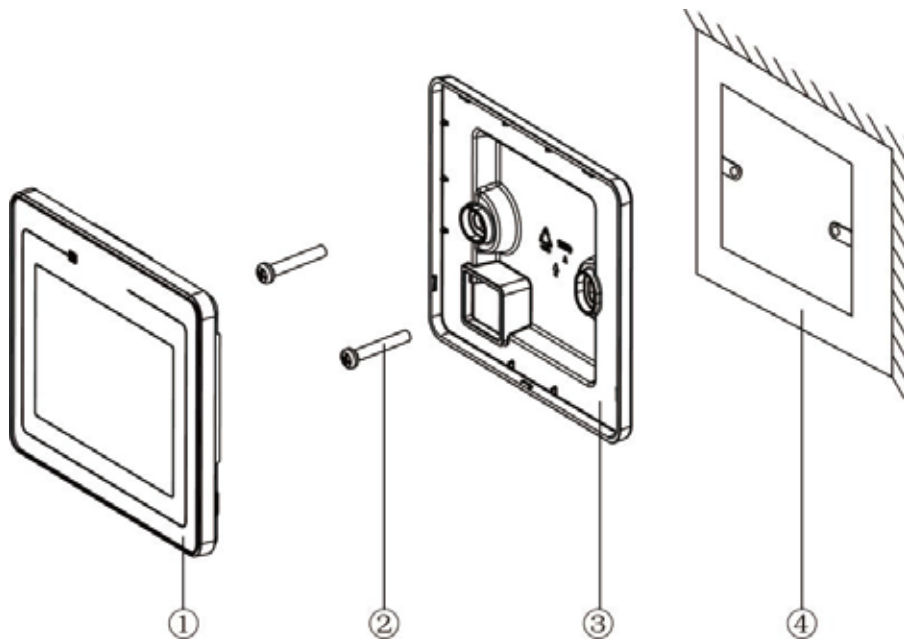
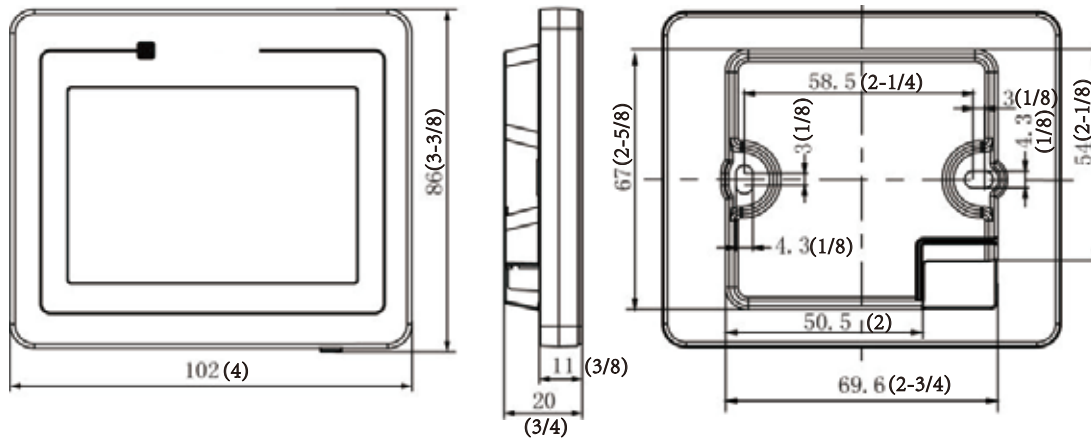


No.	Name	Description
1	Remote control signal receiver	It is used to receive the remote control signal.
2	LED indicator	Red indicates unit off; white indicates unit on.
3	Temperature adjustment	It is used to adjust the set temperature.
4	On/off	It is used to switch the unit on or off.
5	Touch button	Short-press this button to turn on/off the backlight; long-press for 5 seconds to reset the touch screen.
6	Mode	It is used to switch the operation mode of the air conditioner.
7	Fan speed	It is used to change the fan speed of the air conditioner.
8	Up & down swing	It is used to turn on/off the up & down swing.
9	Menu	It is used to enter the next page.
10	Temperature display	It displays the set temperature.
11	Status	It displays the time and the enabled functions.

Job Name:		Date:	
System Reference No.:			
Engineer Signature:			

Outline and Physical Dimensions of XK55.

Unit: mm(in.)



	①	②	③	④
Name	Wired controller	Screw M4×25	Wired controller	Wiring box that is mounted on
QTY	1 pc	2 pc	1 pc	Prepared by the user