

Smart Zone Controller CE54-24/F(C)

The smart centralized controller is applicable to multi VRF units, connectable with IDU network, ODU network or mode converter network. One centralized controller can control up to 16 sets of outdoor unit system and up to 32 sets of indoor unit.

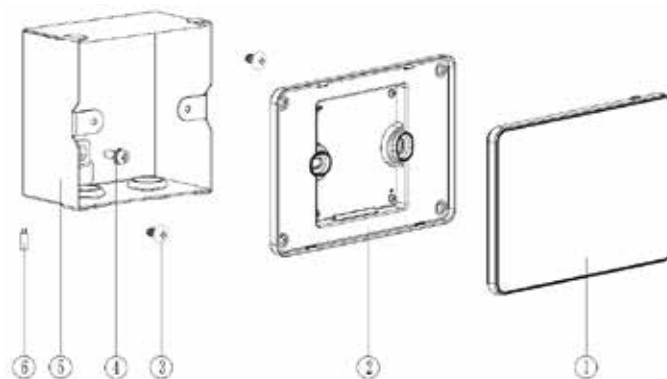
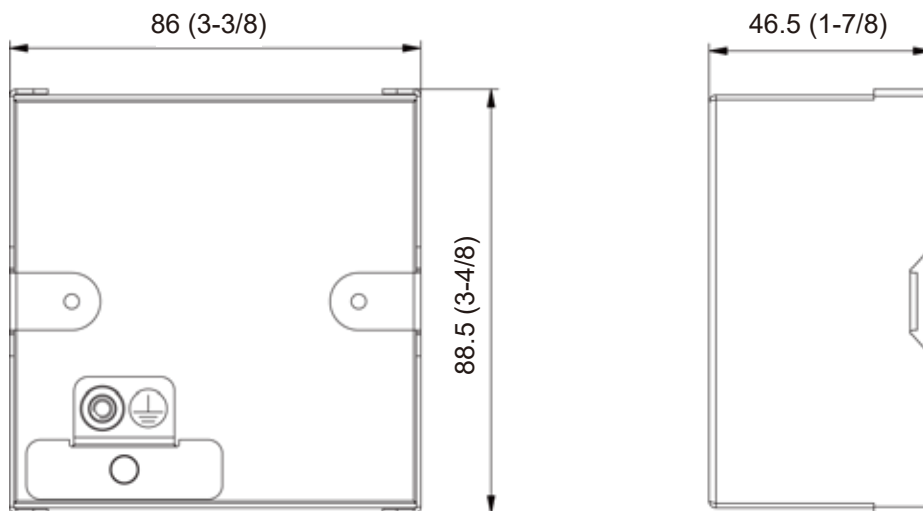
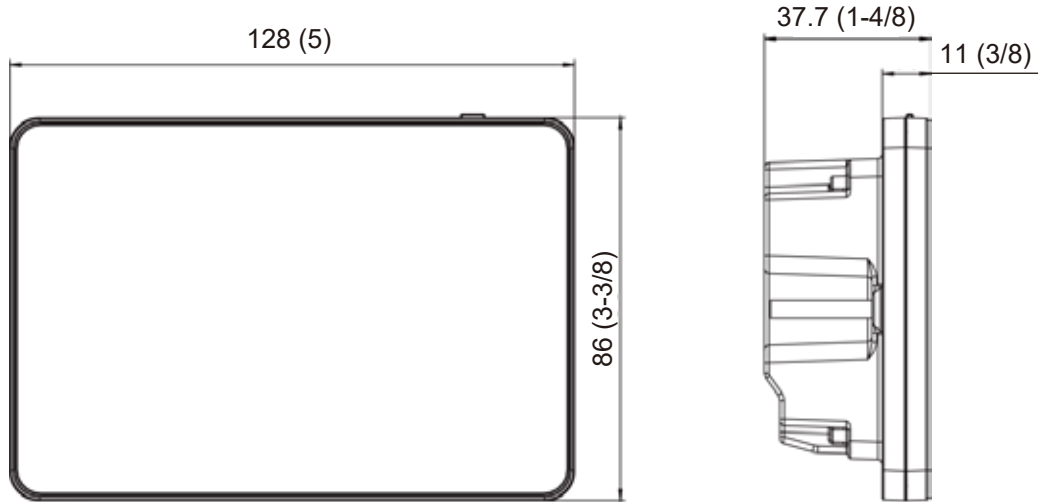


No.	Name	Instructions
1	System time	When the controller is connected with communication network, current day, hour, minute, a.m./p.m.(12-hour clock);
2	Group entrance	Press this button to enter group list page for group control and editing, etc.
3	Setting entrance	Press this button to enter setting page for local setting and engineering setting, etc.
4	Touch button	<ul style="list-style-type: none"> • Press the Touch Button to turn on/off the screen of E-Smart Zone Controller; • Press and hold the Touch Button for 5sec to reset the E-Smart Zone Controller.
5	Area switch	Press the Touch Button to switch area;
6	Area name	Current area name;
7	Group OFF button	Press this button once to turn off current zone indoor units in current area.
8	Icon of master IDU, error or shield status	When this indoor unit is master IDU, or with error or is shielded, the corresponding icon will be displayed if one of the three status is valid. The display priority is: master IDU-error-shield.
9	Page index	Under current status, when the IDU quantity exceeds the quantity that can be displayed in a page, sliding left or right can turn over the page.
10	IDU display	Display in separate page the list of indoor units that are controlled by the E-Smart Zone Controller. Sliding left or right can turn over the page.
11	Group ON button	Press this button once to turn on current zone indoor units in current area.
12	IDU icon	Press the button to enter the page of indoor unit control. Grey icon indicates that IDU is off.
13	Operation mode icon	When indoor unit is on, the current operation mode will be displayed: Auto Cooling Dry Fan Heating Floor heating Heat supply 3D heating
14	Set temperature icon	When indoor unit is on, set temperature will be displayed here.

Job Name:		Date:	
System Reference No.:			
Engineer Signature:			

Outline and Physical Dimensions of CE54-24/F(C).

Unit: mm(inch)



Parts of Centralized Controlle