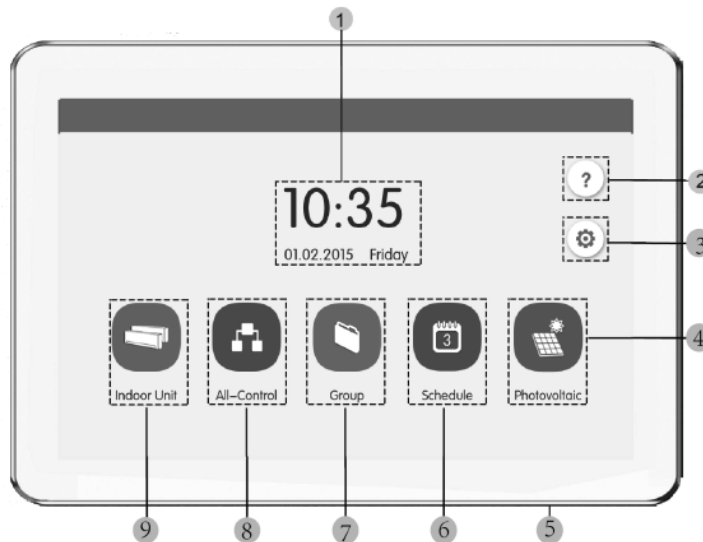









GMV

Centralized Controller CE55-24/F(C)

Centralized Controller for solar VRF II Generation could match indoor unit, monitor power generation from solar panels and adjust power consumption from city grid.



No.	Name	Instructions
1	Time zone	The present date, week and time
2	Help button 	Press this button to enter Help Info page
3	Setting button 	Press this button to enter setting page
4	PV button 	Press this button to enter PV page
5	Touch button	Press the Touch Button to turn on/off the screen of centralized controller. Press and hold the Touch Button for 5sec to restart to centralized controller.
6	Schedule button 	Press this button to enter schedule page
7	Group button 	Press this button to enter group page
8	All-Control button 	Press this button to enter All-Control page
9	Indoor Unit button 	Press this button to enter indoor unit page

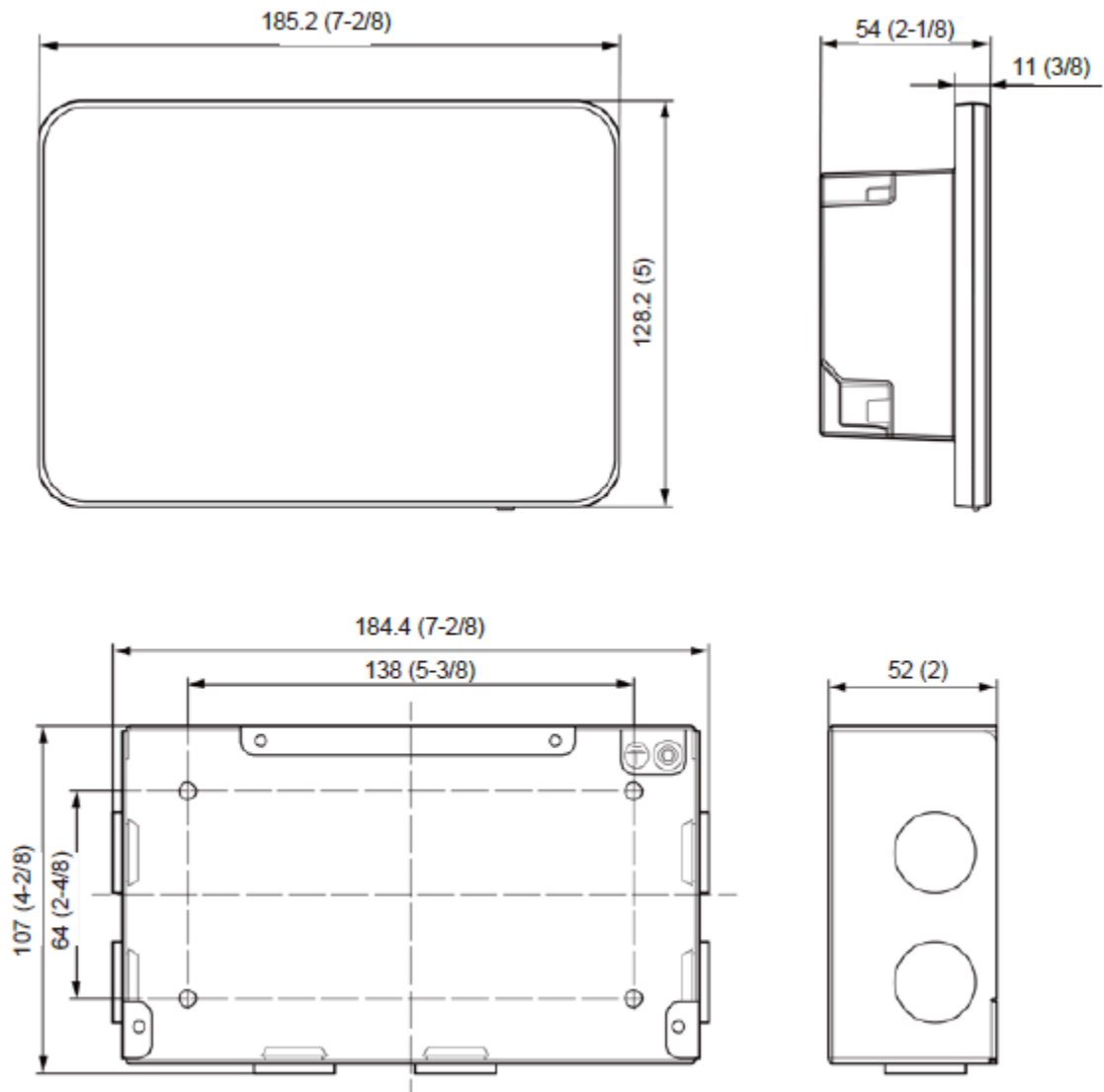
Job Name:

Schedule Reference:

Date:

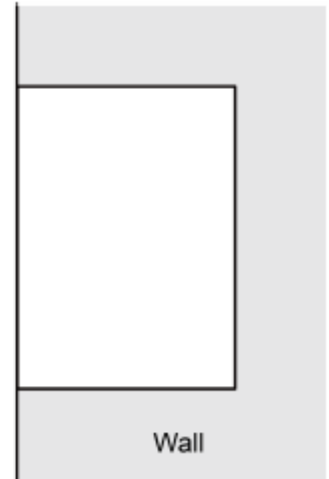
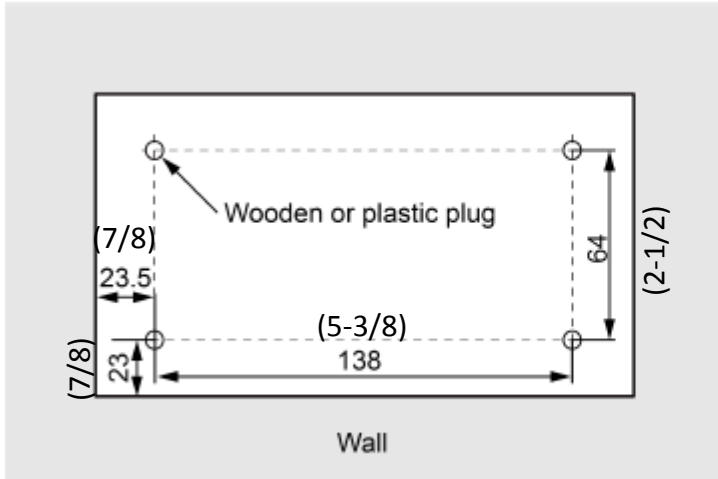
Specification are subject to change without notice.

Outline and Physical Dimensions of CE55-24/F(C).



Unit: mm(in.)

Installation Procedure



Unit: mm(in.)

