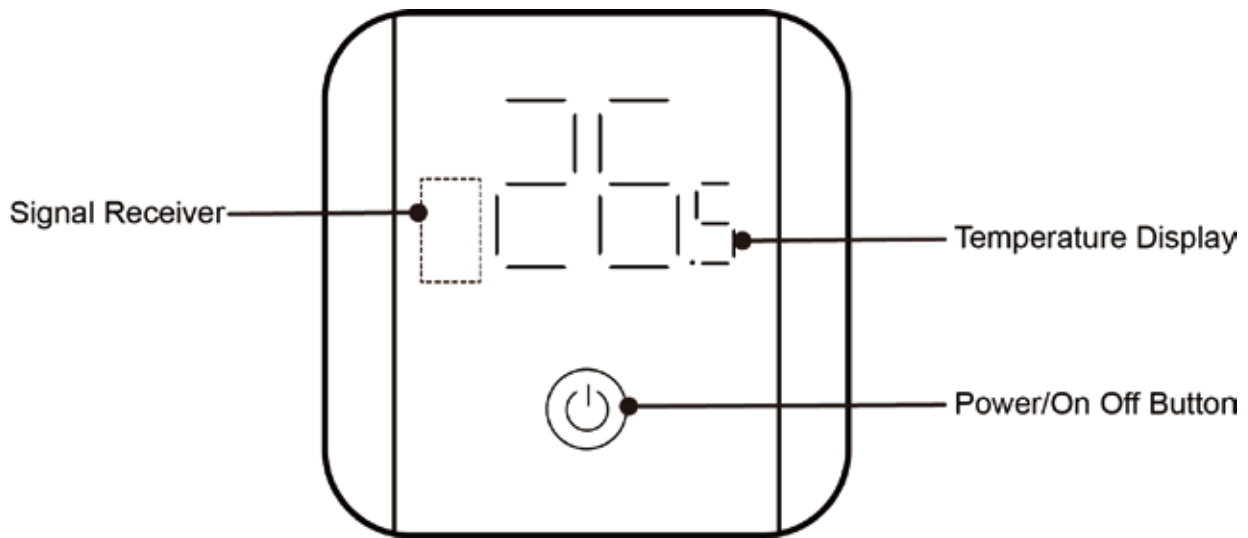


Receiver For Remote Controller JS13



Appearance of Receiver

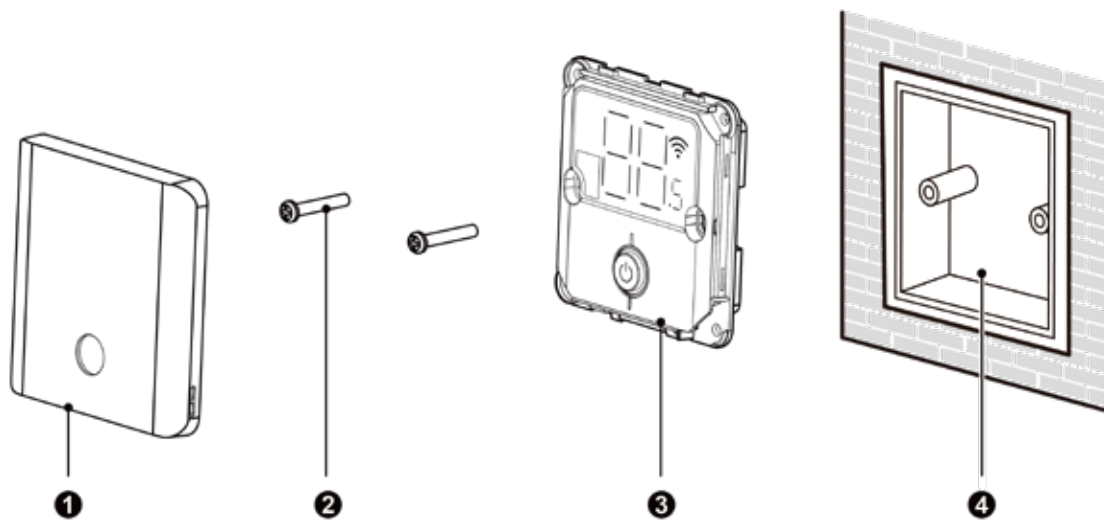
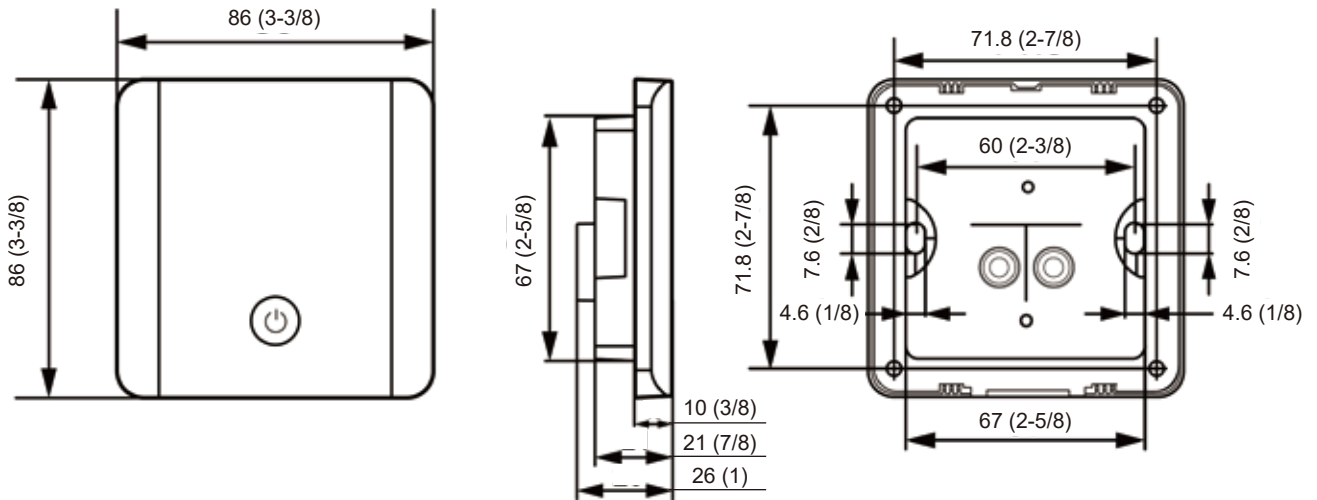
Wiring instructions:

- Press “On Off” button to turn on or turn off the unit. When the unit is operating, set temperature is displayed; when the unit is turned off, set temperature is not displayed and the power indicator is displayed;
- Under normal operation, the temperature display area display will show set temperature, set humidity, corresponding error code or debugging code.
- When user use the remote control to set and display the indoor or outdoor temperature, the temperature display area will display indoor or outdoor temperature for 3s and then switch to display the corresponding set temperature value.;
- Display Error Codes

Job Name:		Date:	
System Reference No.:			
Engineer Signature:			

Outline and Physical Dimensions of JS13.

Unit: mm(inch)



No.	1	2	3	4
Name	Cover	Screw M4x25	Receiver body	Junction box installed inside wall