

# Modular Heat Pump 208~230V



Job Name: \_\_\_\_\_ Date: \_\_\_\_\_

System Reference No.: \_\_\_\_\_ Engineer Signature: \_\_\_\_\_

## Model: GMV-144WM/B1 -F(U)

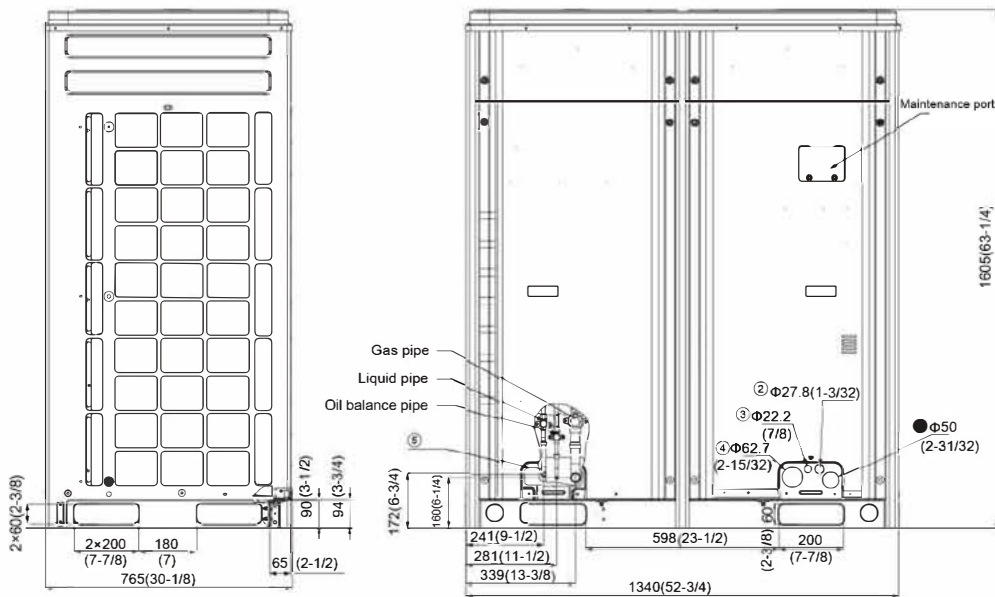
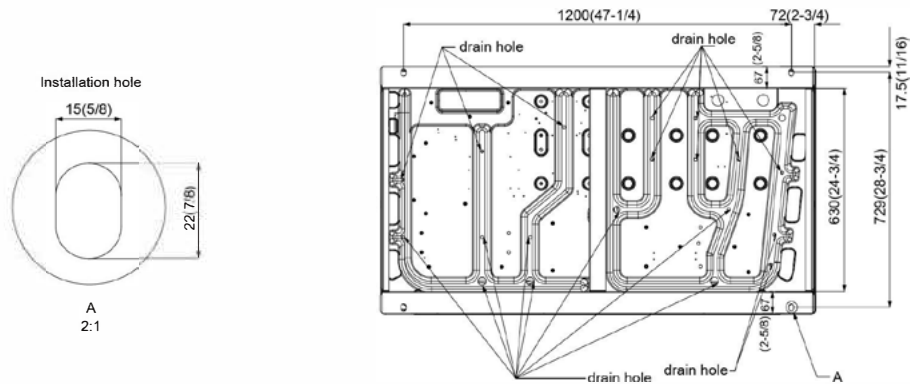


Specifications	Unit	Parameter
<b>Performance</b>		GMV-144WM/B1-F(U)
Rated Cooling Capacity(*1)	kBtu/h	144
Rated Heating Capacity(*2)	kBtu/h	162
Power Input	Cooling(kw)	12
	Heating(kw)	12.5
Sound Pressure Level	dB(A)	64
Operating Temperature Range	Cooling(Outdoor) °C/°F	-5~52 / 23~125.6
	Heating(Outdoor) °C/°F	-20~24 / -4~75.2
<b>AHRI Ratings (Ducted/Non-Ducted)</b>		
EER		10.6
SEER		21.6
COP		2.2~3.3 / 2.3~3.7
<b>Electrical Data</b>		
Power supply	Voltage, Phase, Hertz	208/230, 3, 60
Maximum Overcurrent Protection (MOP)	A	70
Minimum Circuit Amps (MCA)	A	55
<b>Fan</b>		
Type x Quantity		Axial-flow x 2
Air Flow Volume	CFM	8240
Fan Motor Power Output	W	750
Max. External Static Pressure	In. W.G	0.33
<b>Compressor</b>		
Compressor Type x Quantity		Inverter Scroll x 2
Compressor Rated Load Amps (RLA)	A	21.0 + 21.0
Compressor Refrigerant Oil type		FVC68D or FV-68H
Compressor Refrigerant Oil Charge Volume	L/Gal	7.2 / 1.9
<b>Refrigerant Piping</b>		
Connection Pipe	Gas (inch)	1-1/8
	Liquid (inch)	1/2
Max. Equivalent Connection Pipe Length (OD to ID)	ft	541
Refrigerant Charge	lbs	25.79
Refrigerant		R410A
<b>Dimension/Weight</b>		
Dimensions (HxWxD)	inch	63-3/16 x 52-3/4 x 30-1/8
Net Weight	lbs	794
<b>Other</b>		
Indoor Unit	Total Capacity(%)	50%-135% of outdoor unit
	Max Connectable Quantity	23
Safety Certification		ETL / AHRI / ENERGY STAR
Condenser Fin Color		Gold
Protection Devices	High Pressure	High pressure sensor, High pressure switch 601 psi (4.15 MPa)
	Inverter Circuit	Over-heat protection, Over-current protection
	Compressor	Discharge temp protection, Over-current protection

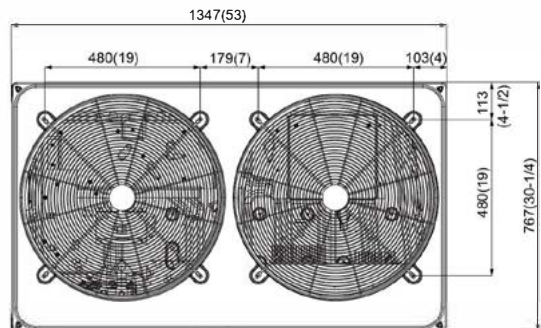
\*1 Cooling | Indoor: 80°F(26.7°C)DB / 67°F(19°C)WB; Outdoor: 95°F(35°C)DB

\*2 Heating | Indoor: 70°F(21.1°C)DB / Outdoor: 47°F(8.3°C)DB / 43°F(6°C)WB

# Outline and Physical Dimensions of GMV-144WM/B1-F(U).



No.	Usage	Size mm(in.)
①	Wire	Φ50(2-31/32)
●		Φ27.8(1-3/32)
③		Φ22.2(7/8)
④		Φ62.7(2-15/32)
⑤	Pipe	180×53(7×2)



NOTE: SEACOAST protection available upon request.

Unit:mm(in.)

