

Modular Heat Pump 208~230V



Job Name: _____ Date: _____

System Reference No.: _____ Engineer Signature: _____

Model: GMV-168WM/B1 -F(U)

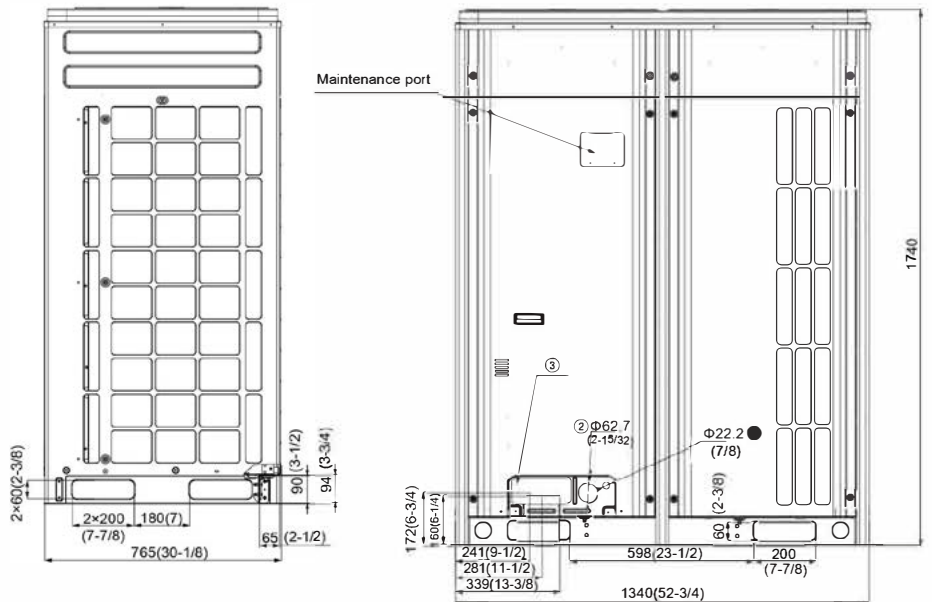
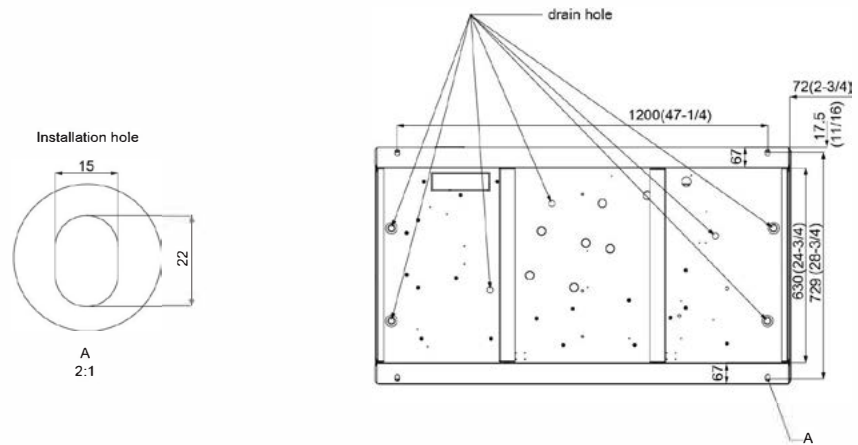


Specifications	Unit	Parameter
Performance		GMV-168WM/B1-F(U)
Rated Cooling Capacity(*1)	kBtu/h	168
Rated Heating Capacity(*2)	kBtu/h	189
Power Input	Cooling(kw)	14
	Heating(kw)	14.25
Sound Pressure Level	dB(A)	65
Operating Temperature Range	Cooling(Outdoor) °C/°F	-5~52 / 23~125.6
	Heating(Outdoor) °C/°F	-20~24 / -4~75.2
AHRI Ratings (Ducted/Non-Ducted)		
EER		10.6
SEER		19
COP		2.05~3.2 / 2.2~3.5
Electrical Data		
Power supply	Voltage, Phase, Hertz	208/230, 3, 60
Maximum Overcurrent Protection (MOP)	A	70
Minimum Circuit Amps (MCA)	A	57
Fan		
Type x Quantity		Axial-flow x 2
Air Flow Volume	CFM	9416
Fan Motor Power Output	W	750
Max. External Static Pressure	In. W.G	0.33
Compressor		
Compressor Type x Quantity		Inverter Scroll x 2
Compressor Rated Load Amps (RLA)	A	22.0 + 22.0
Compressor Refrigerant Oil type		FVC68D or FV-68H
Compressor Refrigerant Oil Charge Volume	L/Gal	7.2 / 1.9
Refrigerant Piping		
Connection Pipe	Gas (inch)	1-1/8
	Liquid (inch)	5/8
Max. Equivalent Connection Pipe Length (OD to ID)	ft	541
Refrigerant Charge	lbs	25.79
Refrigerant		R410A
Dimension/Weight		
Dimensions (HxWxD)	inch	68-1/2 x 52-3/4 x 30-1/8
Net Weight	lbs	849
Other		
Indoor Unit	Total Capacity(%)	50%-135% of outdoor unit
	Max Connectable Quantity	29
Safety Certification		ETL / AHRI / ENERGY STAR
Condenser Fin Color		Gold
Protection Devices	High Pressure	High pressure sensor, High pressure switch 601 psi (4.15 MPa)
	Inverter Circuit	Over-heat protection, Over-current protection
	Compressor	Discharge temp protection, Over-current protection

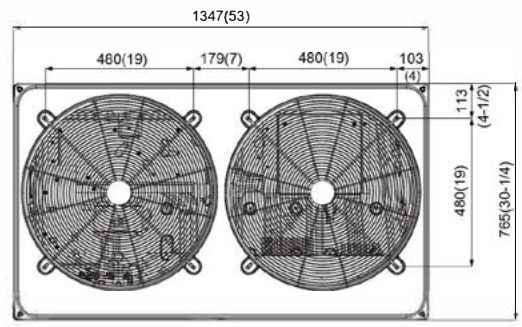
*1 Cooling | Indoor: 80°F(26.7°C)DB / 67°F(19°C)WB; Outdoor: 95°F(35°C)DB

*2 Heating | Indoor: 70°F(21.1°C)DB / Outdoor: 47°F(8.3°C)DB / 43°F(6°C)WB

Outline and Physical Dimensions of GMV-168WM/B1-F(U).



No.	Usage	Size
①	Wire	Φ22.2
②		Φ62.7
③	Pipe	194x85



NOTE: SEACOAST protection available upon request.

Unit:mm(in.)

