

Modular Heat Pump 208~230V



Job Name: _____ Date: _____

System Reference No.: _____ Engineer Signature: _____

Model: GMV-96WM/B-F(U)

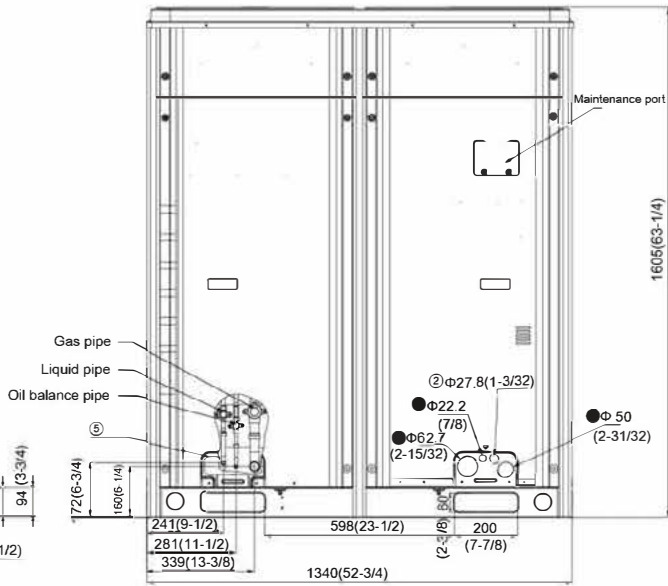
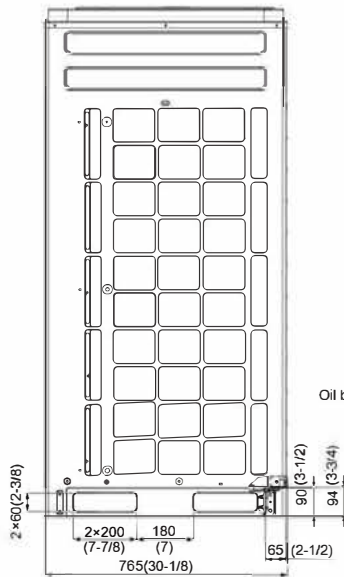
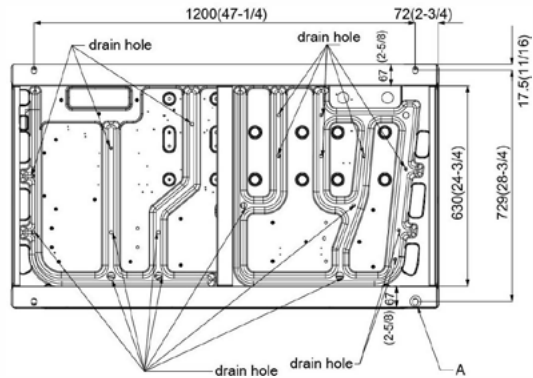
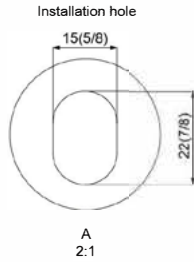


Specifications	Unit	Parameter
Performance		GMV-96WM/B-F(U)
Rated Cooling Capacity(*1)	kBtu/h	96
Rated Heating Capacity(*2)	kBtu/h	108
Power Input	Cooling(kw)	7.3
	Heating(kw)	7.85
Sound Pressure Level	dB(A)	61
Operating Temperature Range	Cooling(Outdoor) °C/°F	-5~52 / 23~125.6
	Heating(Outdoor) °C/°F	-20~24 / -4~75.2
AHRI Ratings (Ducted/Non-Ducted)		
EER		11.2 / 12.6
SEER		20 / 26
COP		2.38~3.4 / 2.5~3.9
Electrical Data		
Power supply	Voltage, Phase, Hertz	208/230, 3, 60
Maximum Overcurrent Protection (MOP)	A	45
Minimum Circuit Amps (MCA)	A	37
Fan		
Type x Quantity		Axial-flow x 2
Air Flow Volume	CFM	8240
Fan Motor Power Output	W	750
Max. External Static Pressure	In. W.G	0.33
Compressor		
Compressor Type x Quantity		Inverter Scroll x 1
Compressor Rated Load Amps (RLA)	A	20
Compressor Refrigerant Oil type		FVC68D or FV-68H
Compressor Refrigerant Oil Charge Volume	L/Gal	5.1 / 1.35
Refrigerant Piping		
Connection Pipe	Gas (inch)	7/8
	Liquid (inch)	3/8
Max. Equivalent Connection Pipe Length (OD to ID)	ft	541
Refrigerant Charge	lbs	24.91
Refrigerant		R410A
Dimension/Weight		
Dimensions (HxWxD)	inch	63-3/16 x 52-3/4 x 30-1/8
Net Weight	lbs	662
Other		
Indoor Unit	Total Capacity(%)	50%-135% of outdoor unit
	Max Connectable Quantity	16
Safety Certification		ETL / AHRI / ENERGY STAR
Condenser Fin Color		Gold
Protection Devices	High Pressure	High pressure sensor, High pressure switch 601 psi (4.15 MPa)
	Inverter Circuit	Over-heat protection, Over-current protection
	Compressor	Discharge temp protection, Over-current protection

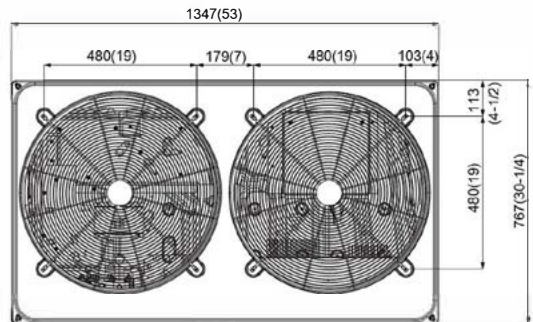
*1 Cooling | Indoor: 80°F(26.7°C)DB / 67°F(19°C)WB; Outdoor: 95°F(35°C)DB

*2 Heating | Indoor: 70°F(21.1°C)DB / Outdoor: 47°F(8.3°C)DB / 43°F(6°C)WB

Outline and Physical Dimensions of GMV-96WM/B-F(U).



No.	Usage	Size mm(n.)
①	Wire	Φ50(2-31/32)
②		Φ27.8(1-3/32)
③		Φ22.2(7/8)
④		Φ62.7(2-15/32)
⑤	Pipe	180x53(7x2)



NOTE: SEACOAST protection available upon request.

Unit:mm(in.)

