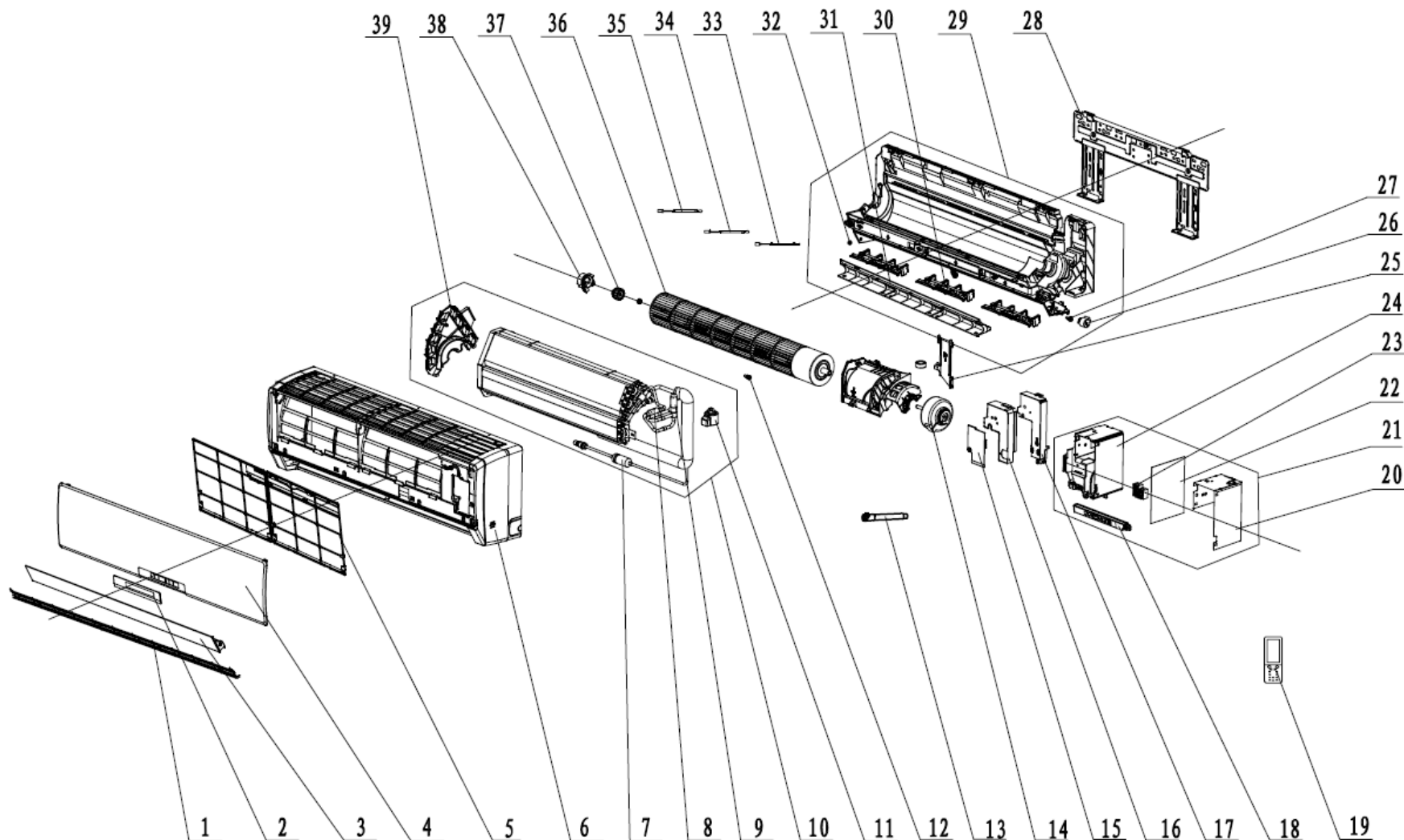


Product Model:GMV-N24G/A3A-D(U)



NO.	Part Description	qty	Part Code
1	Mesh Enclosure(Air Outlet)	1	01472016
2	Receiver Window	1	22432173
3	Guide Louver	1	10512118
4	Front Panel Assy	1	20012328
5	Filter Sub-Assy	2	11122091
6	Front Case Assy	1	2001232901
7	Strainer	1	07414100006
9	Electric Expansion Valve Sub-Assy	1	43044100062
10	Evaporator Assy	1	01024100100
11	Electric Expand Valve Fitting	1	4304413217
12	Axile Bush	2	10542036
13	Drainage Hose	1	0523001405
14	Fan Motor	1	1501209801
15	Electric Box Cover2	1	2011208112
16	Shield Cover of Electric Box	1	01592092
17	Electric Box Cover1	1	2012215401
18	Display Board	1	30565038
19	Remote Controller	1	30510589
20	Lower Shield of Electric Box	1	01592091
21	Electric Box Assy	1	01394100452
22	Main Board	1	30226000063
23	Terminal Board	1	42010268
24	Electric Box	1	2011210802
	Electric Box	1	2011210804
25	Connecting pipe clamp	1	26112188
26	Stepping Motor	1	1521300101
27	Crank	1	10582070
28	Wall Mounting Frame	1	01252032
29	Rear Case Sub-Assy	1	2220294203
30	Air Louver	3	10512141
31	Helicoid Tongue	1	26112187
32	Left Axile Bush	1	10512037
33	Temperature Sensor	1	39000076G
	Temperature Sensor	1	390000598
34	Temperature Sensor	1	390000456
	Temperature Sensor	1	390000454
35	Temperature Sensor	1	390002072
	Temperature Sensor	1	390002072G
36	Cross Flow Fan	1	10454103
37	O-Gasket of Cross Fan Bearing	1	76512203
38	Ring of Bearing	1	26152025
39	Evaporator Support	1	24212103

